

Recommended QoS Configuration Settings for TP-LINK Archer C9 AC1900 Wireless Router



Contents

Introduction	3
Supported Browsers for Test	3
Quality of Service	4
Test Your Connection Capacity	4
Test Your Connection Quality	5
Configure Your Router	6
TP-LINK C9 AC 1900 Router QoS Configuration	6
Ports and Firewalls Settings for RingCentral VoIP Service	10

Introduction

RingCentral has taken the guesswork out of router selection. Because we know that Quality of Service (QoS) is paramount to your business, we have carefully selected and tested a set of dependable routers suitable for supporting high-quality VoIP conversations.

This document provides recommended configuration settings to ensure the highest possible QoS for voice calls on the TP-LINK® C9 AC 1900 wireless router.

Additional routers that have been tested and recommended are shown on the [Recommended Routers](#) page of the RingCentral Customer Care website.

Supported Browsers for Test

- Internet Explorer® 11 or higher (Windows® XP, 7, 8 or higher)
- Firefox® version 36 or higher (Windows and Mac®)
- Safari version 6.2 or higher (Mac)

Note:

The routers recommended here are quality hardware that we have tested internally and work reliably with our services. However, given the constantly updated firmware and physical changes made by manufacturers and the nature of cloud-based services, RingCentral cannot control the final configuration of the hardware or your computer systems/networks, or promise that any given router will work with your system, or guarantee that our information is 100% up to date.

Quality of Service

RingCentral provides reliable, high-quality voice service. Your local network, internet connection, and your router all contribute to overall call quality, with sufficient dedicated bandwidth to voice calls being the biggest factor. To help you manage your call quality, RingCentral offers tools to check your internet connection speed, and instructions to configure the Quality of Service (QoS) settings of your routers.

The QoS settings on your router enable it to give priority to real-time voice traffic over lower-priority data traffic, such as large downloads. This document provides recommended configuration settings to ensure the highest-possible QoS experience on the TP-LINK C9 AC 1900 wireless router. Please reference the relevant TCP/UDP settings on the [Ports and Firewalls table](#) to complete the recommended setup.



Test Your Connection Capacity

The RingCentral [Connection Capacity test](#) will help determine the maximum number of simultaneous RingCentral calls that can be supported on your broadband connection. Run this test during normal business hours when the connection is in use by other applications, including large file downloads.

The capacity test should be run using the maximum number of simultaneous call connections needed, and should use the G.711 codec selection.

Specific requirements for QoS:

- Bandwidth—100 Kbps up and down per call
- Latency (one-way)—less than 150 ms
- Jitter—not to exceed 100 ms
- Packet loss—less than 3%

These requirements are the foundation for ensuring your local network can support satisfactory VoIP. Failure to meet these requirements will result in poor voice quality.

When the test completes, you will see the recommended number of simultaneous calls your connection can support while maintaining good quality voice calls.

Start Test

⊖ **Advanced Options**

Download bandwidth starting point (Mbps): 5.0 v ?

Upload bandwidth starting point (Mbps): 5.0 v ?

Codec: G.711 (High) v

- ↔ Capacity
- x-d Losses
- 📈 Graph
- + Advanced

Download Capacity		
4.01 Mbps (2917 packets/sec)		
Upload Capacity		
13.7 Mbps (9995 packets/sec)		
Target		Data Rate
Achieved		10.0 Mbps
Downstream results		
5.00 Mbps (3633 pps)	4.07 Mbps (2959 pps)	0.0% loss
Upstream results		
5.00 Mbps (3633 pps)	4.99 Mbps (3633 pps)	0.0% loss
6.00 Mbps		0.0% loss

Your connection can support
46
 simultaneous calls.

Test Your Connection Quality

RingCentral provides a **VoIP Quality test** that will simulate VoIP calls between your computer and RingCentral, and provide an estimate of the voice quality you should expect when using our service. For the most accurate results, run this test *at least* three different times throughout a business day, and *during peak usage times*, while connected to the network that you plan to use for RingCentral.

A two-minute test is typically sufficient, while longer tests are useful to find intermittent problems or to simultaneously test VoIP performance along with other traffic, such as file transfers or remote access.

Select the maximum number of simultaneous users you expect to support, and set the test duration between 1 and 5 minutes; 2 minutes is considered sufficient in most instances.

Click **jitter** and **packet loss** on the **RESULTS SUMMARY** panel to view the overall quality of your expected VoIP connection.

MOS score (Mean Opinion Score) refers to a test that has been used for decades in telephony networks to obtain the human user's view of the quality of the network. The MOS is the arithmetic mean of all the individual scores, and can range from 1 (worst) to 5 (best). A MOS score of 4 is good.

Number of simultaneous calls: i

Advanced Options

Test Duration (minutes): i

Codect: i

Start Test

VoIP
RESULTS SUMMARY

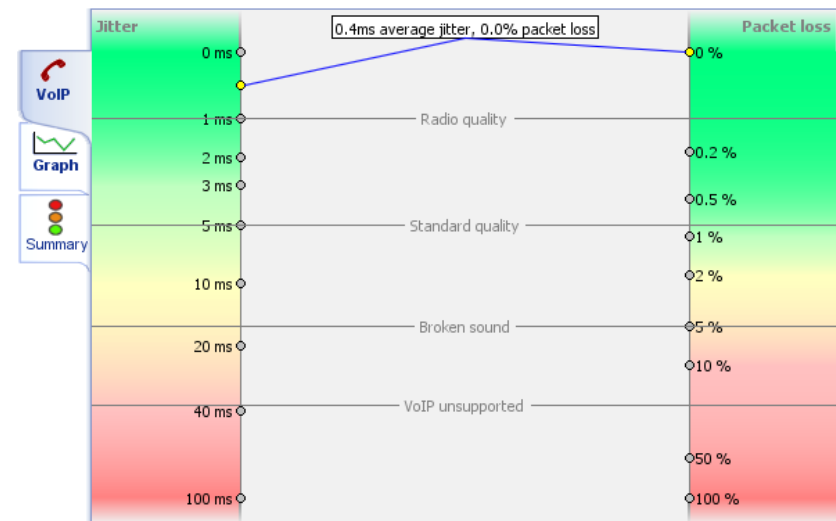
Graph
Test audit report

Summary

Your connection's jitter was measured as 0.4 ms, which indicates that it can produce a constant flow of data. Voice-over-IP conversations should be of good quality.

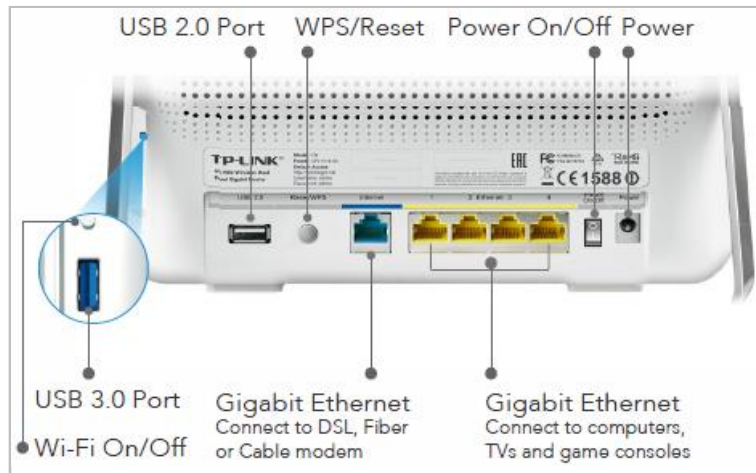
Your connection's packet loss was measured at 0.0%, which indicates that it is accurately transferring data. Voice-over-IP conversations should be of good quality.

Your connection's **MOS score** is estimated to be 4.2.



Configure Your Router

TP-LINK C9 AC 1900 Router QoS Configuration



Brand:	TP-LINK
Model:	TL-R600VPN
Hardware version:	ArcherC9 v1
Firmware version:	4.0.0 Build 20150916 Rel. 37772

To review the User Guide for the TP-LINK C9 AC 1900 click [here](#).

1. Enter <http://192.168.0.1> in the address bar of a web browser. User name is **admin** and the default password is **admin**. Click **Login**.

The screenshot shows the router's login interface with the following elements:

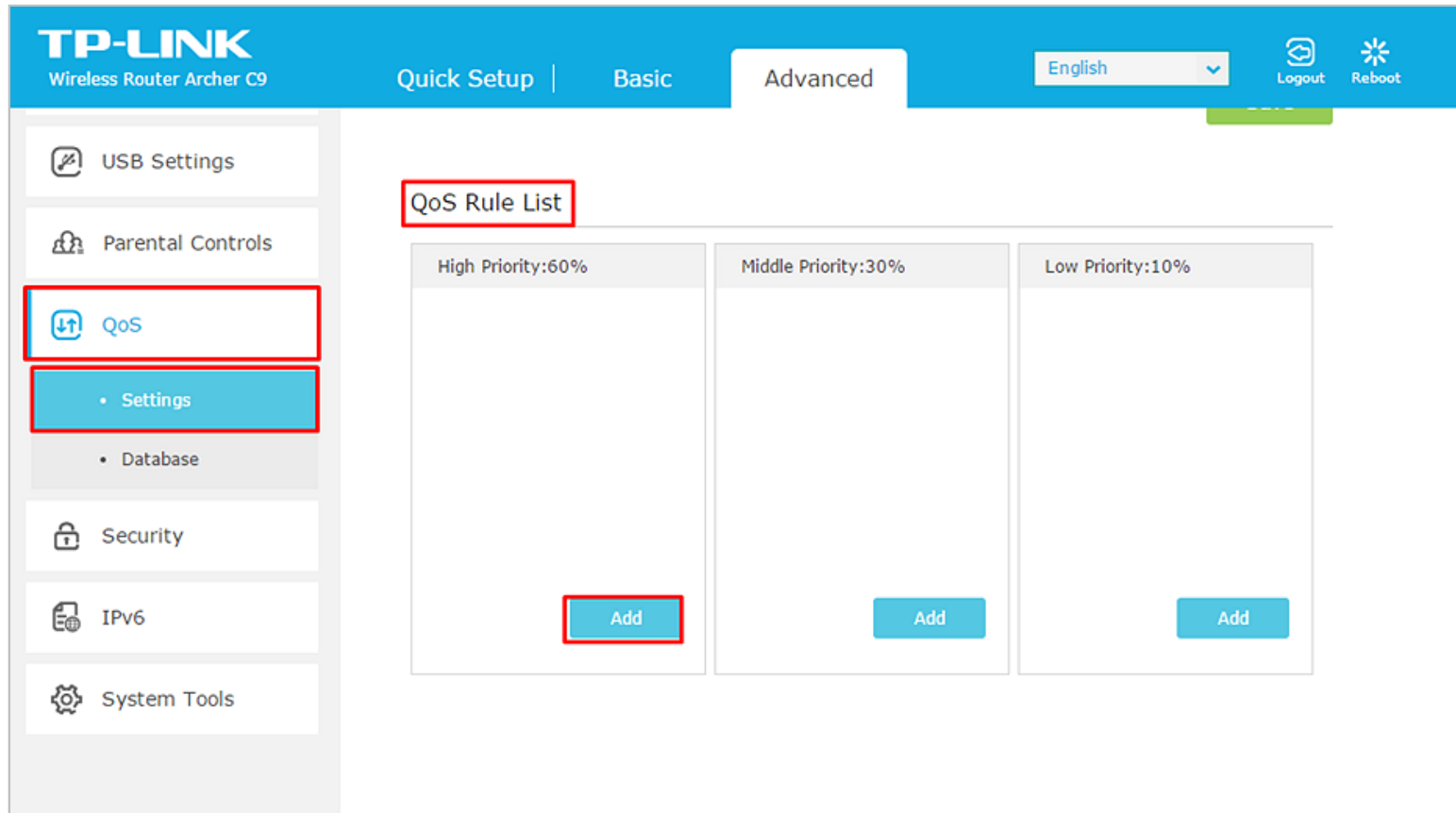
- Username field:
- Password field: with a "Forgot password?" link to the right.
- Green "Login" button.

2. Click the QoS tab; then Settings.

The screenshot displays the TP-LINK Archer C9 router's web interface. The top navigation bar includes 'Quick Setup', 'Basic', and 'Advanced' tabs, with 'Advanced' selected. The language is set to 'English'. The left sidebar contains various settings categories, with 'QoS' and 'Settings' highlighted by red boxes. The main content area shows the 'QoS' configuration page. A red box highlights the 'QoS' section, which includes a checked 'Enable QoS' checkbox, 'Upload Bandwidth' set to 5 Mbps, and 'Download Bandwidth' set to 5 Mbps. Below this, there is an 'Advanced' section with a dropdown arrow. A green 'Save' button is located to the right of the 'Advanced' section. The 'QoS Rule List' section shows three priority levels: High Priority:60%, Middle Priority:30%, and Low Priority:10%.

- Set Upload Bandwidth and Downstream Bandwidth in Mbps based on your measured internet speeds. This can be obtained using your ISP's speed-test feature, via their website. Example: Search (via Google) "Comcast speed test", or "AT&T speed test"; then click on the link to your ISP's website.
- Click **Save**.

3. Under the same QoS tab, you will need to prioritize your phones. Under the QoS Rule List, click the Add button under High Priority.



4. Under **QoS Rule > Type**, select **By Application**.
 - a. Click **Custom Application** at the bottom..
 - b. Enter a **Name**, **Protocol**, and **Port** range based on RingCentral required ports.
 - c. Click **OK** to save the rule.
 - d. Repeat steps **a** through **c** for all of RingCentral's required ports.

QoS Rule

Type: By Device **By Application**

Application

<input type="checkbox"/> SSH	<input type="checkbox"/> BT	<input type="checkbox"/> SMTP
<input type="checkbox"/> Telnet	<input type="checkbox"/> Emule	<input type="checkbox"/> POP3
<input type="checkbox"/> VPN	<input type="checkbox"/> Facebook	<input type="checkbox"/> FTP
<input type="checkbox"/> WWW	<input type="checkbox"/> Vonage	<input type="checkbox"/> PPTP
<input type="checkbox"/> DNS	<input type="checkbox"/> netTalk	<input checked="" type="checkbox"/> L2TP
<input type="checkbox"/> ICMP	<input type="checkbox"/> iTalkBB	<input type="checkbox"/> IPSec
<input type="checkbox"/> NNTP	<input type="checkbox"/> GTalk	<input type="checkbox"/> WhatsApp
<input type="checkbox"/> MSN	<input type="checkbox"/> HTTP	
<input type="checkbox"/> Skype	<input type="checkbox"/> HTTPS	

Custom Application

Name:

Protocol: ALL

Port:

Ports and Firewalls Settings for RingCentral VoIP Service

Please see RingCentral [Ports and Firewalls](#) reference link for the required TCP/UDP ports that need to be opened for RingCentral devices to work. Categories are:

- Device Type
- Protocol
- Source Port—Customer Side
- Destination Port—RingCentral Side

Also see information on **Port Triggering** on the referenced [page](#).